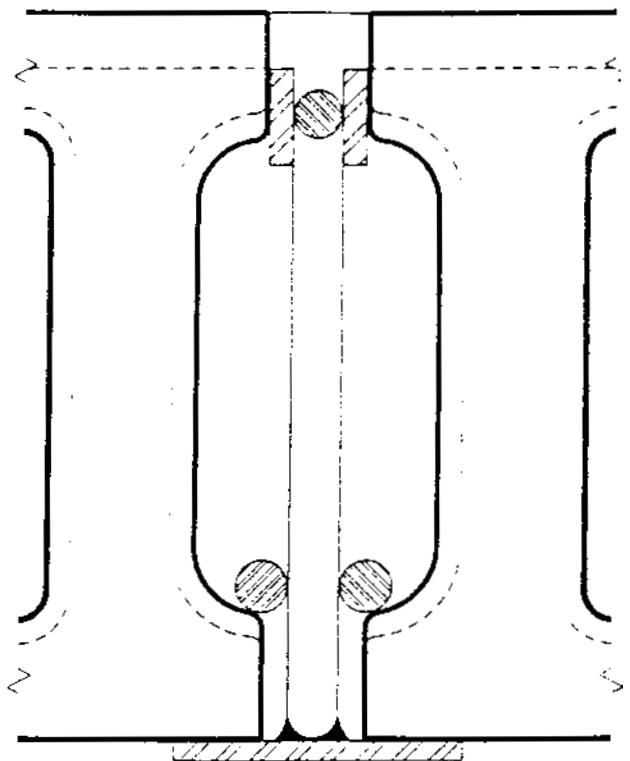


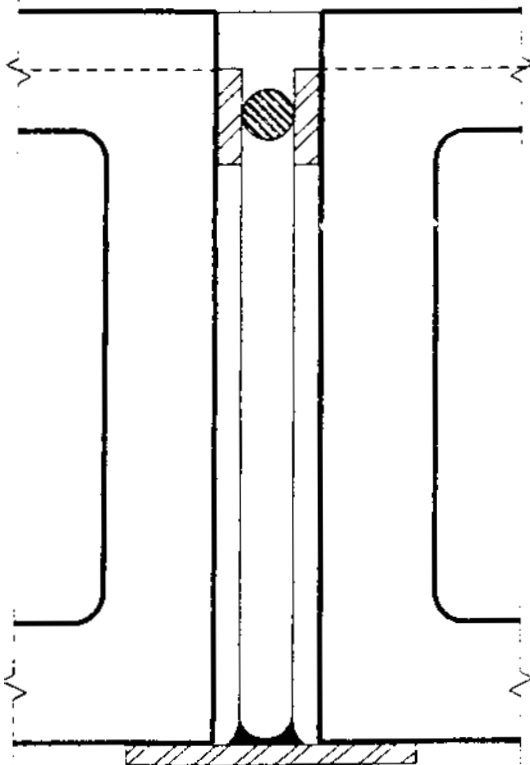
ADDING A REBAR FOR
FIRE RESISTANCE

SCALE - 1/2"



ADDING (2) REBAR FOR
FIRE RESISTANCE

SCALE - 1/2"



TYPICAL SECTION AT
AN INTERIOR JOIST

SCALE - 1/2"

